



TC-5901B Pneumatic Shield Box

Application

TC-5901B Pneumatic Shield Box is about 50% larger in test area and height than the other popular TC-595X series shield boxes, providing more flexibility in handling larger devices and test fixtures. This product provides an efficient RF-isolated test environment for manufacturing mobile phones and wireless PDA's.



Key Features

- Reliable High RF shielding up to 2.5GHz owing to simple up-down lid motion
- Pneumatic control of lid open-close and optional automatic test fixture motions
- EMI filters on all data ports and power line
- Manual or remote operation(RS-232C)
- Modular I/O design for possible customization of data and RF connection
- Fixture control air outputs for custom test fixture
- Red and Green LED for Pass/Fail indication
- Dual pressure control and Lid Down Sensor for safety
- CE compliant: EN 292-1:1991, EN 292-2:1991/A1:1995, EN 983:1996, EN 1050:1996, EN 60204-1:1997

Specification

- **Shielding Effectiveness:** >70 dB, from DC to 2.5 GHz, including connectors
- **Input air pressure:** 5 bar to 10 bar
- **Main air connector:** 6mm OD hose, one-touch push-on fitting
- **Fixture control air connectors:** 4mm OD hose, one-touch push-on fitting
- **Working space:** 408(W) x 218(D) x 135(H) mm
- **Dimension:** 459(W) x 300(D) x 302(H) mm, lid closed. 449(H) mm, lid open
- **Line voltage:** 100 to 240 VAC, 50/60 Hz, 15 watt max
- **Data line capacity:** 100VDC, 3Amps maximum
- **Weight without optional test fixture:** 20 kg
- **Accessories supplied:** 4003-0001, DB9(s) to DB9(s) RS-232C Cable, 2m, 1pc.
4003-0004, DB9(p) to DB9(s) Cable, 1m, 2pcs.
4003-0005, DB25(p) to DB25(s) Cable, 1m, 1pc.
4006-0004, N(m) to N(m) Cable, 1m, 1pc.
4008-0008, RJ45 to DB9(p) Cable, 30cm, 1pc.
4008-0009, RJ45 to DB9(s) Cable, 1.5m, 1pc.
4009-0006, HDEB9(s) to USB A(p) Cable, 1m, 1pc.



Concentric Technology Solutions Inc

Testing Solutions for the Wireless Industry

TC-5901B Pneumatic Shield Box Data Sheet

4009-0007, HDEB9(p) to USB A(s) Cable, 15Cm, 1pc.
Power Cord, 1pc., Hand Valve, 1pc.
Safety Shield, 1pc., Lid Stopper, 1pc.

Lid Characteristics

- **Long Life Up-Down design**
- **Lid Speed Control Valve**
- **Dual Pressure:** Lid closes without air pressure
- **Lid Down Sensor:** Lid opens if the lid doesn't close fully within 2 sec.
- **Initial Lid Position:** Lid opens when the air is connected regardless of AC power
- **Internal Electronic Cycle Counter** (downloadable to PC thru RS-232C)

Electrical I/O

User Data I/O Connectors

- 2 DB9(p) outside and DB9(s) inside, 1000pF Pi filter
- DB25(p) outside and DB25(s) inside, 1000pF Pi filter
- DB9(p) outside and DB9(s) inside, for LAN or USB 1.1, 100pF Pi filter

RF Connectors

- 2 N(f) outside and SMA(f) inside

Remote Control Connector

- RS-232C : DB9(p), 3wire

AC Line Input

- IEC Type, Detachable



Connectors of TC-5901B

Fixture Customization option

TC-5901B system with a custom fixture F59014A allows automation of most of the test processes. The fixture holds the device, brings it inside the shield box, makes test signal connections and returns the device to the starting position when the test is completed. Once the device is manually loaded on the DUT cradle and the serial number scanned, the rest of the test procedures can be automated. The custom fixture option, F59014A may be ordered by supplying the necessary device information and samples to help design and verify the fixture. Typically, every device has unique shape and electrical connections requiring mechanical and electrical customizations from its basic platform design.

Ordering Information

TC-5901B, Pneumatic Shield Box

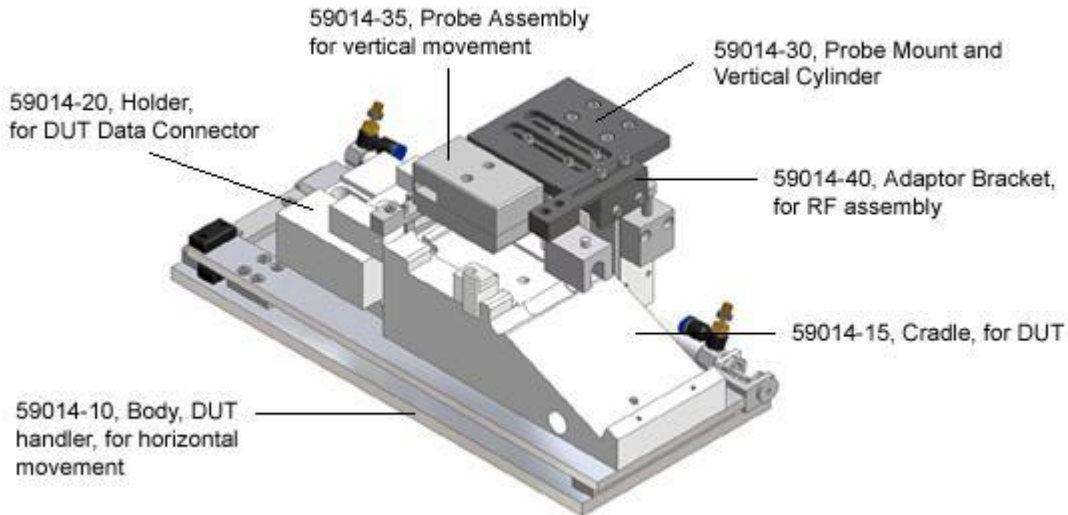
F59014A-MMM-XXXX-YY, Custom Fixture for 5901B



MMM-XXXX-YY is a unique fixture code that will be given by Tescom

5901-71, Dual open/close switch

5901-80, Spare gasket Assy, set of 2pcs



View of F59014A fixture

Design Patent 240189

SPECIFICATIONS SUBJECT TO CHANGE WITHOUT PRIOR NOTICE